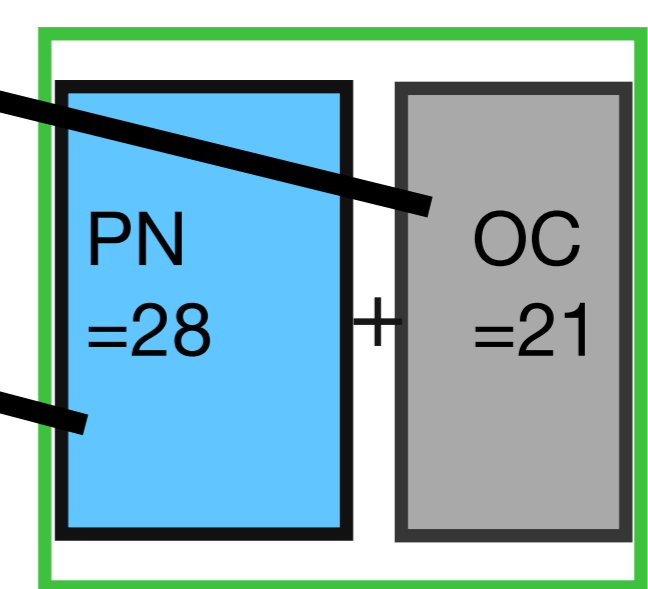


0	1	2	3	4	5	6	7	8	9	10
1	<div style="display: flex; justify-content: space-around;"> <div style="width: 20%; height: 100%; background-color: red; border: 1px solid black;"></div> <div style="width: 20%; height: 100%; background-color: orange; border: 1px solid black;"></div> <div style="width: 20%; height: 100%; background-color: lightorange; border: 1px solid black;"></div> <div style="width: 20%; height: 100%; background-color: gray; border: 1px solid black;"></div> </div>							63	80	99
2								60	77	96
3								55	72	91
4								48	65	84
5								39	56	75
6								28	45	64
7								15	32	51
8								63	<div style="background-color: black; color: white; padding: 10px;"> <p>PN=Perfect Number =28=1+2+4+7+14</p> <p>OC=ODD Complement=21</p> <p>$M_p^2 = PN+OC = 28+21=49=7^2$</p> <p>$M_p$=Mersenne PRIME=7</p> </div>	
9	80									
10	99									

4=x
3=y
x+y=z
7=z



* $PD_x=16=PN$ crosses PD

$p=3$
 $2^p=8$
 $M_p=7=z$
 $M_p^2=49$
 $PD_x=16$

Every Perfect Number has an EVEN AREA that combines with its ODD Complement AREA to equal the Square of its Mersenne Prime

Copyright©2021.Reginald Brooks, Brooks Design. All rights reserved.

Every Perfect Number has an EVEN AREA that combines with its Odd Complement AREA to equal the Square of its Mersenne Prime