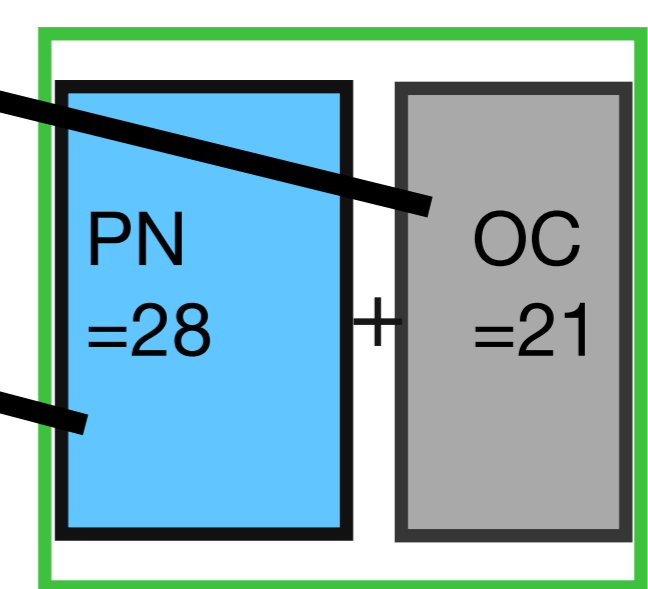


0	1	2	3	4	5	6	7	8	9	10
1	PN =Perfect Number =28	7	4 4=x	OC =ODD Complement =21 - 3=y=all center except last EVEN	#16 OC-y = 21-3=18 = 3·6 = 2OCS where OCS=y <sup>2</sup> =9	63 60 55 48 39 28 15	80 77 72 65 56 45 32	99 96 91 84 75 64 51	64 17 36	99
2										
3										
4										
5										
6										
7										
8										
9	PN=Perfect Number =28=1+2+4+7+14 OC=ODD Complement=21 $M_p^2 = PN+OC = 28+21=49=7^2$ $M_p$ =Mersenne PRIME=7									
10	Copyright©2021.Reginald Brooks, Brooks Design. All rights reserved.									

4=x  
 3=y  
 x+y=z  
 7=z



\*PD<sub>x</sub>=16=PN crosses PD

$p=3$   
 $2^p=8$   
 $M_p=7=z$   
 $M_p^2=49$   
 $PD_x=16$

Every Perfect Number has an EVEN AREA that combines with its ODD Complement AREA to equal the Square of its Mersenne Prime

Every Perfect Number has an EVEN AREA that combines with its Odd Complement AREA to equal the Square of its Mersenne Prime